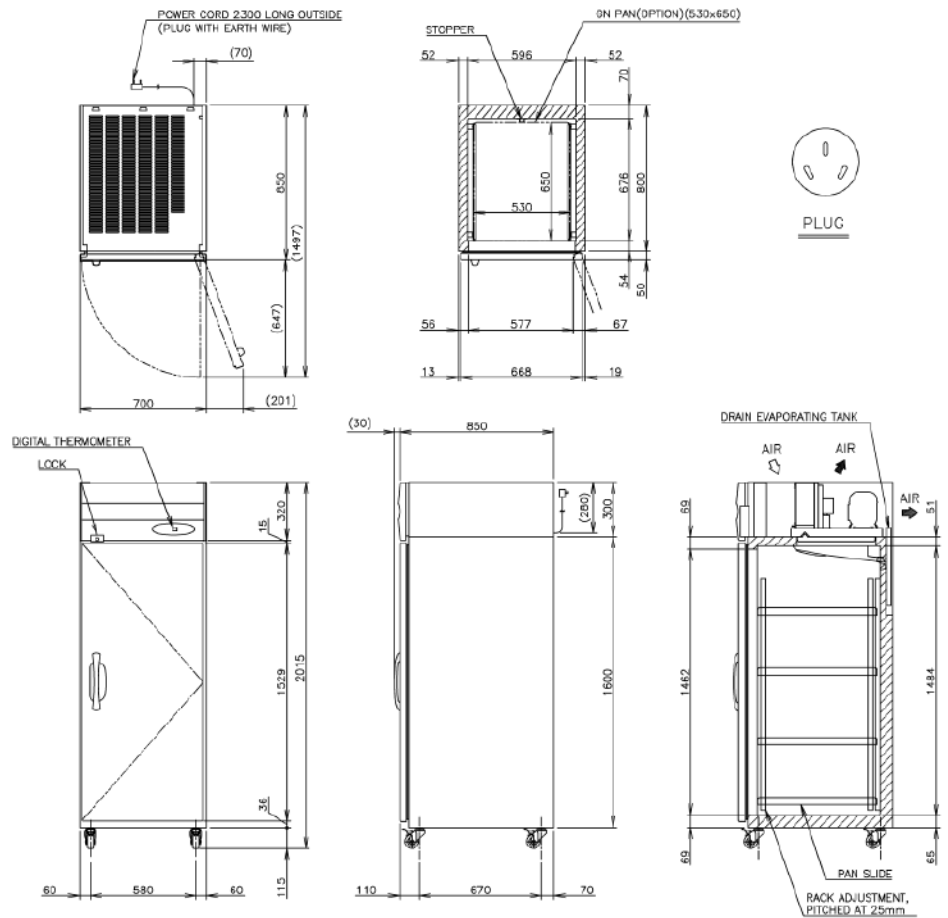




PRODUCT FEATURES

- Stainless steel interior and exterior.
- Lockable Full Length Door
- Programmable Digital controller and display.
- 4 x 2/1 Gastronorm adjustable shelves with rails.
- 2 years parts and labour warranty.
- Comes standard with 4 x 115mm lockable castors (not legs).
- Optional Adjustable legs 150 - 180mm (Sold separately).

TECHNICAL DRAWING



PRODUCT SPECIFICATION

| | |
|-----------------------|---|
| Exterior | Stainless Steel, Galvanized Steel (Rear /Bottom) |
| Interior | Stainless Steel |
| Max Storage Capacity | 630L |
| Temperature Control | Microprocessor controlled Adjustable from -6 to 12°C |
| Evaporator | Fin & Tube type |
| Outside Dimensions | 700mm (W) x 850mm (D) x 2015mm (H) |
| Inside Dimensions | 596mm (W) x 676mm (D) x 1484mm (H) |
| Refrigeration System | Forced Air Circulation |
| Weight Net/Gross (kg) | 124 / 146 |
| AC Supply Voltage | 1 PHASE 220 - 240V 50Hz |
| Amperage | Rated: 5.3A Starting: 23.4A |
| Refrigerant | R134a/160g |
| Operating Conditions | Ambient Temp.: 5-43°C Voltage Range: Rated Voltage ±6% |



Descriptions and specifications are subject to change at any time, without notice. Illustrations for demonstration purposes.

Copyright © 2019 Hoshizaki Lancer Pty Ltd. All right reserved. E&OE Date: Oct 2019