

## FEATURES

- *Temperature : -20 ~ -17°C or 0 ~ 10°C*
- *Dual Temp purpose*
- *70mm thick insulation*
- *Ambient Temp : 38 °C*
- *Manual Defrost*
- *Mechanical Control System*
- *1 standard basket included*

Adjustable freezer,  
temperature 1 for refrigerator



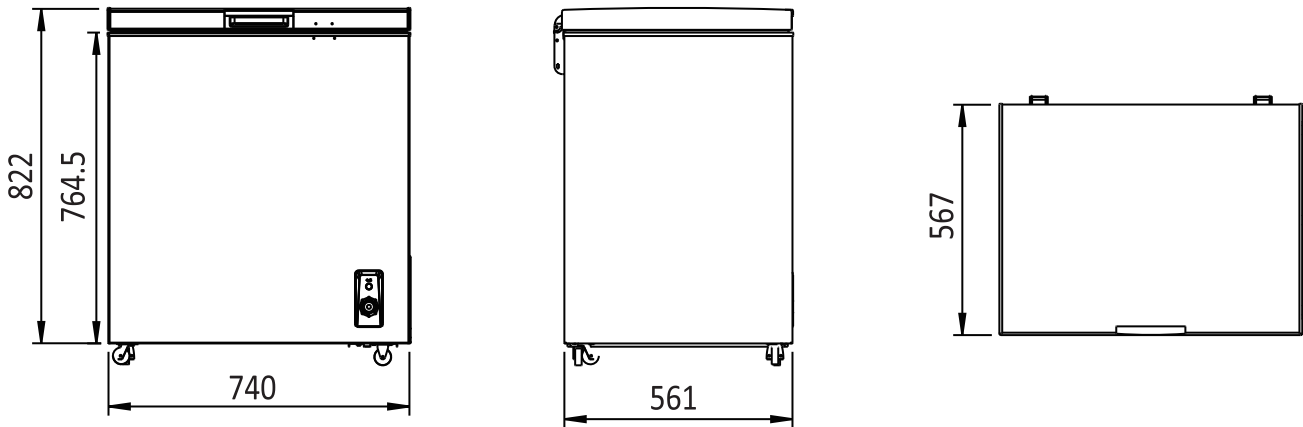
INFORMATION	BD-155K	BD-218K	BD-299K
Net Capacity	155L	218L	299L
Product size(mm)	W740 x D561x H822	W965 x D561 x H830	W1110 x D621 x H830
Packing size (mm)	W805 x D620 x H920	W1025 x D620 x H920	W1150 x D680 x H920
N.W. /G.S.	33/37kg	36/40 kg	45/50 kg
Power consumption	85W	100W	120W
Power consumption	0.57kwh/24H	0.68kwh/24H	0.77kwh/24H



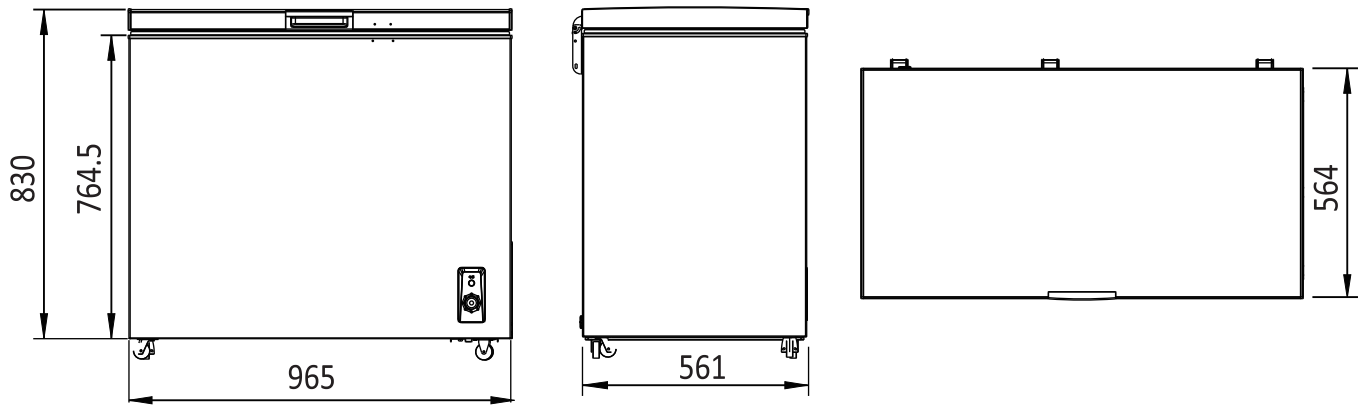
2 YEARS WARRANTY ON ALL PARTS & LABOUR  
\* EXTRA 2 YEARS WARRANTY ON PARTS WHEN YOU REGISTER WITH US ONLINE

# SOLID DOOR CHEST FREEZER

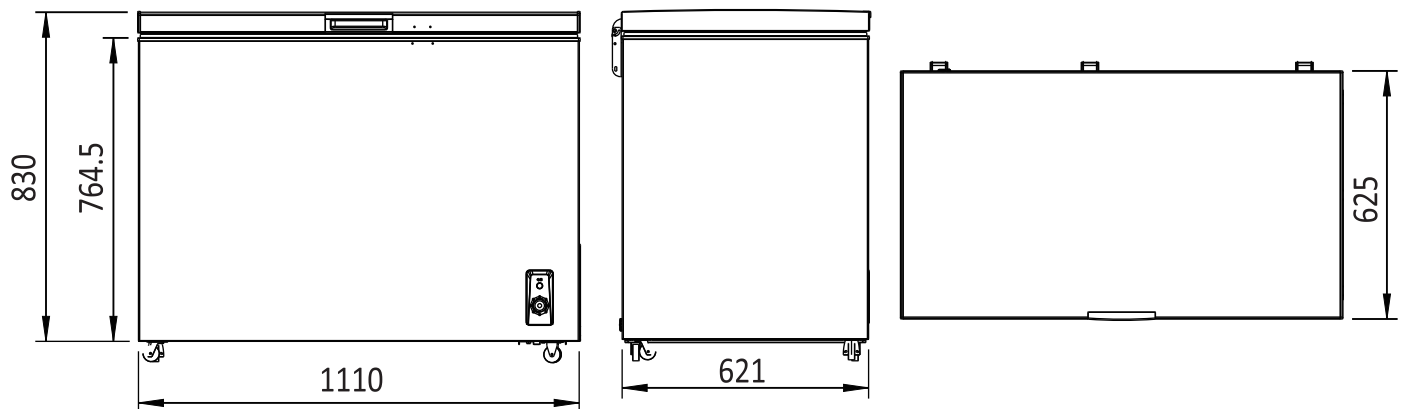
BD-155K



BD-218K



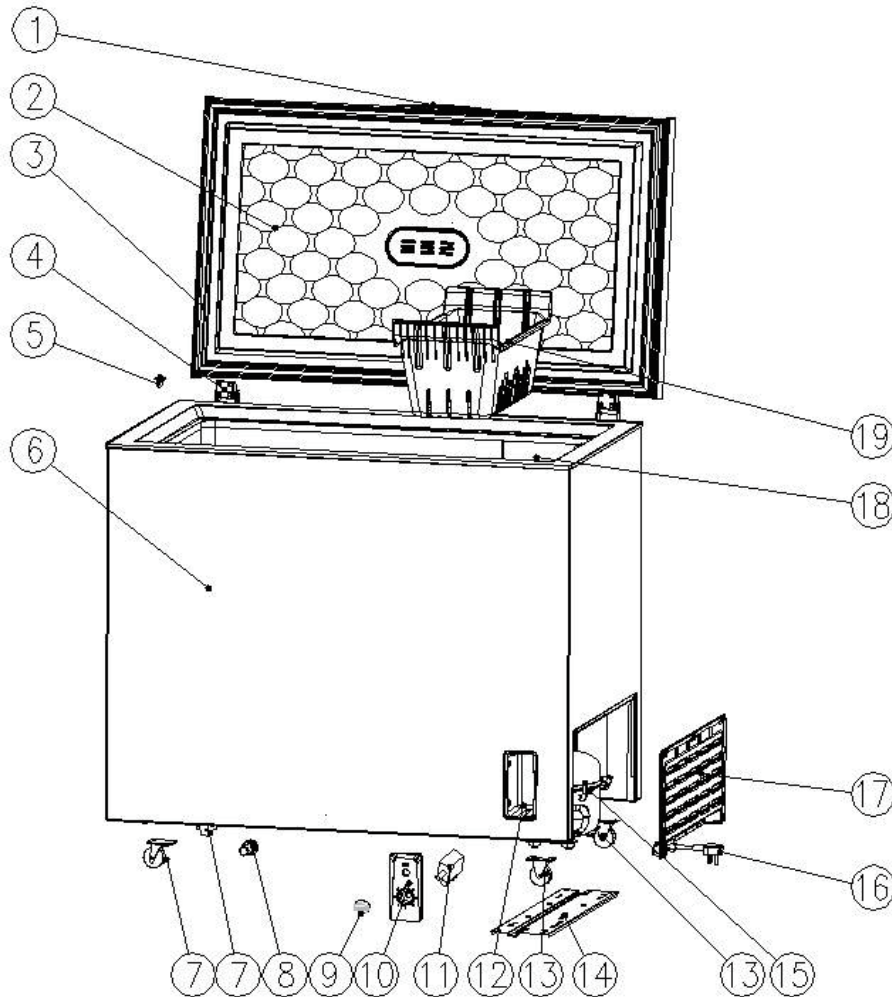
BD-299K



2 YEARS WARRANTY ON ALL PARTS & LABOUR  
\* EXTRA 2 YEARS WARRANTY ON PARTS WHEN YOU REGISTER WITH US ONLINE

# SOLID DOOR CHEST FREEZER

BD-218K / 299K



1. Door handle
2. Door lining board
3. Door seal
4. Door hinge component
5. Drain plug
6. Box component
7. Swivel caster
8. Drain cover
9. Knob
10. Control panel
11. Thermostat
12. Waterproof cover
13. Directional caster
14. Compressor mounting plate
15. Compressor component
16. Power cord plug
17. Maintenance plate
18. Inner box component
19. Food basket



+



2 YEARS WARRANTY ON ALL PARTS & LABOUR  
\* EXTRA 2 YEARS WARRANTY ON PARTS WHEN YOU REGISTER WITH US ONLINE