

Glass Three Door Cooling Table
EPF3731



Glass Two Door Cooling Table
EPF3721



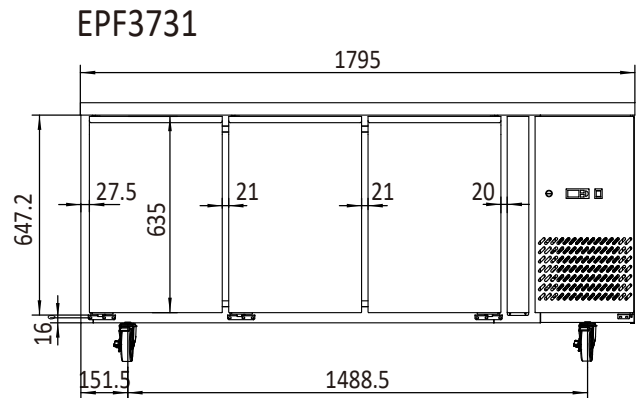
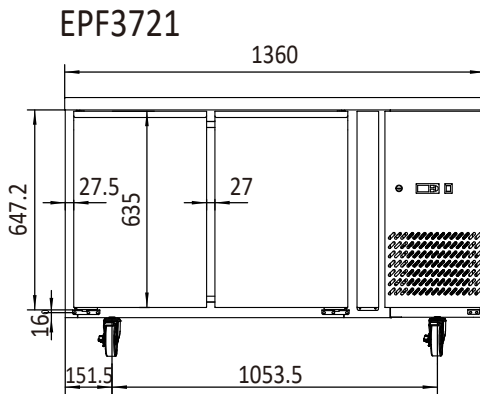
Glass Four Door Cooling Table
EPF3741



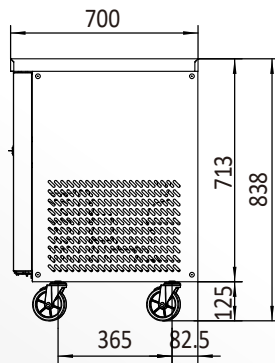
FEATURES

- Stainless steel interior and exterior with galvanised back panel
- 43°C ambient working temperature
- Auto-defrost function
- Fan-forced cooling
- All European parts, Embarco compressor, EBM fan motor
- Carel digital controller
- Shelf rails support GN Pans
- Gas: R134A for Fridges
- Insulation Foam: C5H10, ODP, Zero emissions
- Castors as standard
- Pre-installed mid-shelves
- Double-glazed glass hinged doors
- Allow 100 mm clearance for air ventilation
- Light inside

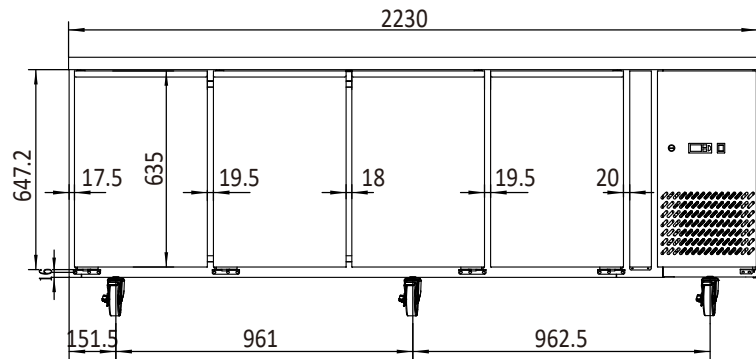




side view



EPF3741



INFORMATION	EPF3721	EPF3731	EPF3741
Capacity	300L	450L	560L
Power	330W	330W	350W
Voltage	220~240V/50Hz	220~240V/50Hz	220~240V/50Hz
Working Temp	-2°C~+8°C	-2°C~+8°C	-2°C~+8°C
Ambient Temp	43°C	43°C	43°C
Dimensions(mm)	W1360 x D700 x H838,100kg	W1795 x D700 x H838,125kg	W2230 x D700 x H838,162kg
Packaging Dimensions(mm)	W1414 x D765 x H872,133kg	W1849 x D765 x H872,165kg	W2284 x D765x H872,204kg



2 YEARS WARRANTY ON ALL PARTS AND LABOUR
EXTRA 2 YEARS WARRANTY ON PARTS
WHEN YOU REGISTER WITH US ONLINE



* All prices are EX-GST