

## KEG COOLERS



Keg Coolers

**MKC23**



Keg Coolers

**MKC58**

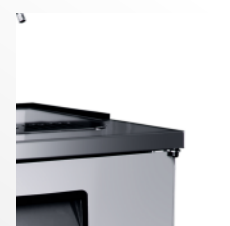


Keg Coolers

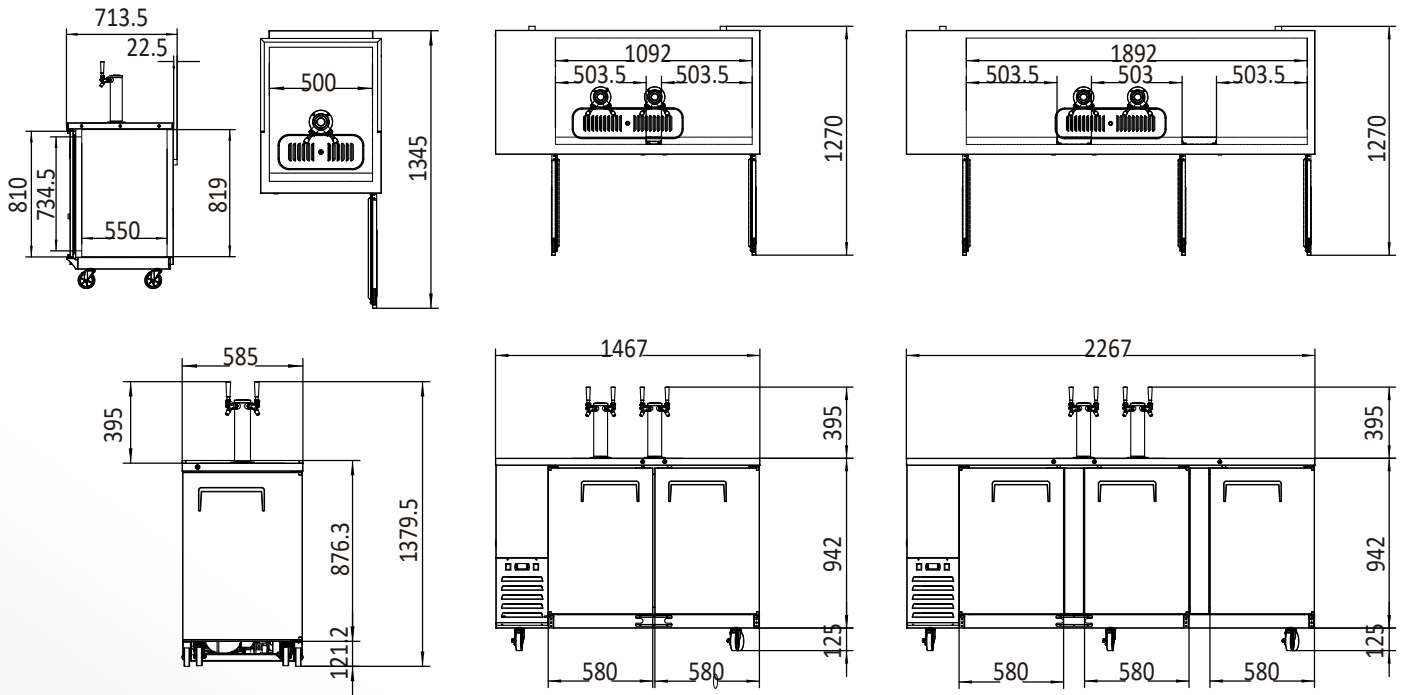
**MKC90**

## FEATURES

- Stainless steel exterior and interior
- Dixell Digital Controller
- Heavy duty Embraco compressor with environmentally friendly R290 refrigerant.
- Slide out compressor assembly for easy maintenance
- Stainless steel drip tray(s)
- Recessed door handle(s)
- Dual Tap tower(s) standard
- Interior light(s)
- Magnetic door gasket(s) standard
- Manifold and Ball taps included
- Door lock(s) standard
- Pre-installed castors
- 43° Ambient Temp



## KEG COOLERS



MKC23

MKC58

MKC90

INFORMATION	MKC23	MKC58	MKC90
Capacity	220L	390L	850L
Power	260W	260W	320W
Voltage	220~240V/50Hz	220~240V/50Hz	220~240V/50Hz
Working Temp	0 ~ 10°C	0 ~ 10°C	0 ~ 10°C
Ambient Temp	43°C	43°C	43°C
Dimensions(mm)	W585 × D791 × H985 + 395,60kg	W1467 × D714 × H1067 + 395,95kg	W2267 × D714 × H1067 + 395,128kg
Packaging Dimensions(mm)	W650 × D861 × H1190,85kg	W1530 × D765 × H1150,110kg	W2329 × D765 × H1150,162kg



2 YEARS WARRANTY ON ALL PARTS AND LABOUR  
EXTRA 2 YEARS WARRANTY ON PARTS  
WHEN YOU REGISTER WITH US ONLINE



\* All prices are EX-GST