

SANDWICH PREP TABLE REFRIGERATORS



**Single Door Sandwich Prep
Table Refrigerator**

MSF8301

Stainless steel GN pans included

**Double Door Sandwich
Prep Table Refrigerator**

MSF8302/MSF8303

Stainless steel GN pans included



**Three Door Sandwich
Prep Table Refrigerator**

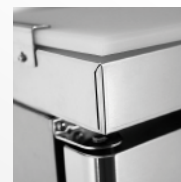
MSF8304

Stainless steel GN pans included

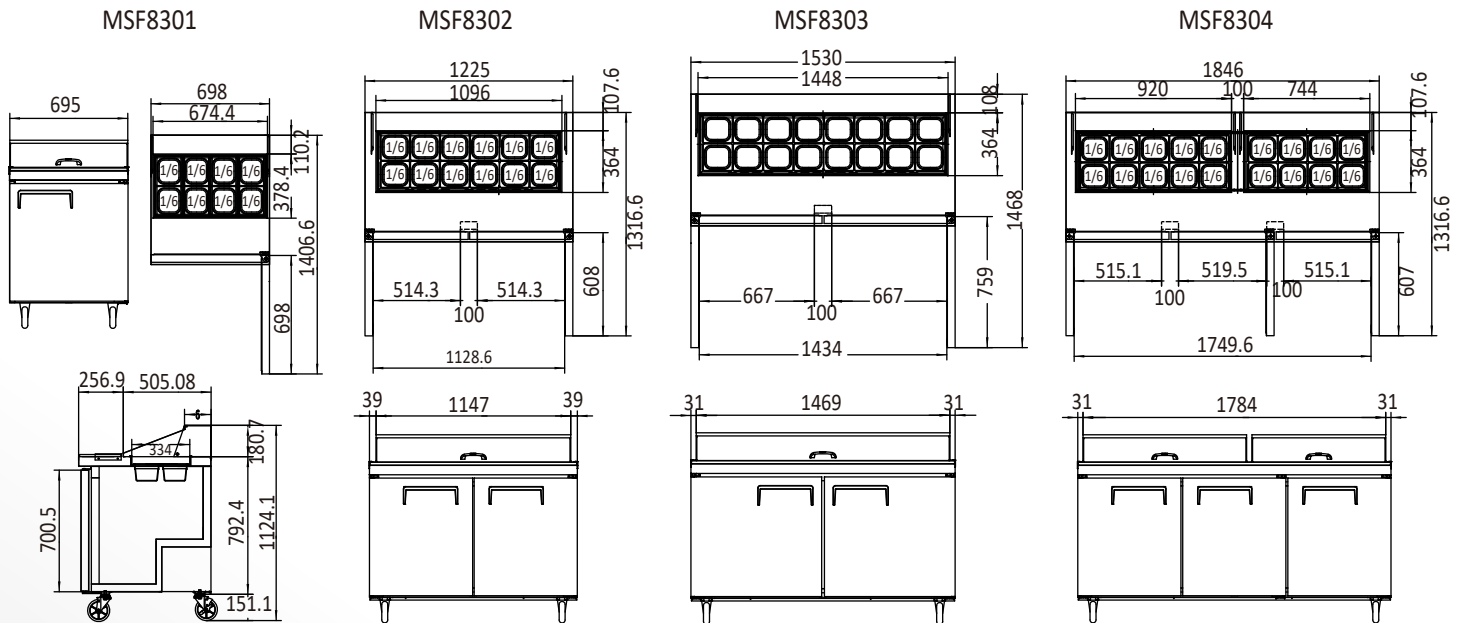


FEATURES

- Stainless steel interior and exterior with galvanised back panel
- Stainless steel food pans included
- Heavy duty Embraco compressor
- Self-closing and stay open doors
- Efficient refrigeration system
- Round corner design
- Recessed door handle
- Magnetic door gaskets
- Pre-installed castors
- Pre-installed mid-shelves
- Blown-over air wells
- Allow 100 mm clearance for air ventilation



SANDWICH PREP TABLE REFRIGERATORS



INFORMATION	MSF8301	MSF8302	MSF8303	MSF8304
Capacity	203L	379L	487L	598L
Power	270W	370W	370W	430W
Voltage	220~240V/50Hz	220~240V/50Hz	220~240V/50Hz	220~240V/50Hz
Working Temp	+1°C~+8°C	+1°C~+8°C	+1°C~+8°C	+1°C~+8°C
Ambient Temp	43°C	43°C	43°C	43°C
Dimensions(mm)	W698 x D762 x H1124,90kg	W1225 x D762 x H1124,110kg	W1530 x D762 x H1124,150kg	W1846 x D762 x H1124,170kg
Packaging Dimensions(mm)	W770 x D831 x H1186,107kg	W1300 x D831 x H1186,130kg	W1584 x D831 x H1186,160kg	W1916 x D831 x H1186,198kg



2 YEARS WARRANTY ON ALL PARTS AND LABOUR
EXTRA 2 YEARS WARRANTY ON PARTS
WHEN YOU REGISTER WITH US ONLINE



* All prices are EX-GST