

COMPACT REFRIGERATORS / FREEZERS



**Single Door
Top Mounted Models**

**YBF9206
YBF9207**



**Double Door
Top Mounted Models**

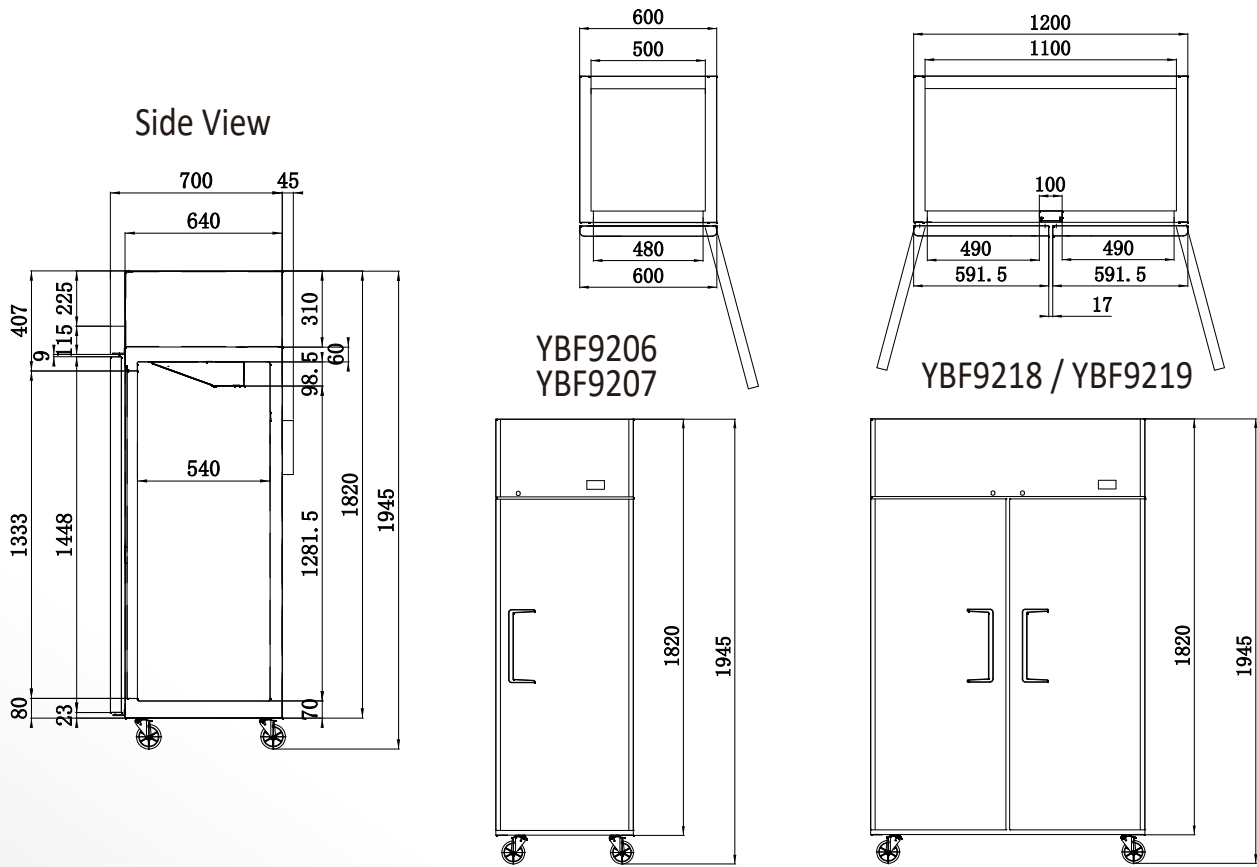
**YBF9218
YBF9219**

FEATURES

- Single door 410 LT Capacity refrigerators and freezers
- Double door 900 LT Capacity refrigerators and freezers
- Single door only 600mm wide / double door only 1200mm wide
- Top mounted units
- Stainless steel exterior and interior
- Heavy duty Embraco compressor
- 40 degree working ambient temperature
- Carel digital controller
- Self-closing doors
- White PVC heavy duty shelving
- Heavy duty castors for easy mobility
- Recessed door handle
- Safety door lock
- Magnetic door gaskets
- Designed to work in the busiest kitchens
- Tailor made to handle the Australian climate
- Needs to be 100mm off the wall for breathing space



COMPACT REFRIGERATORS / FREEZERS



INFORMATION	YBF9206	YBF9207	YBF9218	YBF9219
Capacity	410L	410L	900L	900L
Power	330W	454W	408W	741W
Voltage	220~240V/50Hz	220~240V/50Hz	220~240V/50Hz	220~240V/50Hz
Working Temp	-2°C~+8°C	-22°C~-17°C	-2°C~+8°C	-22°C~-17°C
Ambient Temp	40°C	40°C	40°C	40°C
Dimensions(mm)	W600 x D745 x H1950,90kg	W600 x D745 x H1950,90kg	W1200 x D745 x H1950,135kg	W1200 x D745 x H1950,135kg
Packaging Dimensions(mm)	W640 x D774 x H2050,100kg	W640 x D774 x H2050,100kg	W1240 x D774 x H2050,145kg	W1240 x D774 x H2050,145kg



2 YEARS WARRANTY ON ALL PARTS AND LABOUR
EXTRA 2 YEARS WARRANTY ON PARTS
WHEN YOU REGISTER WITH US ONLINE



* All prices are EX-GST