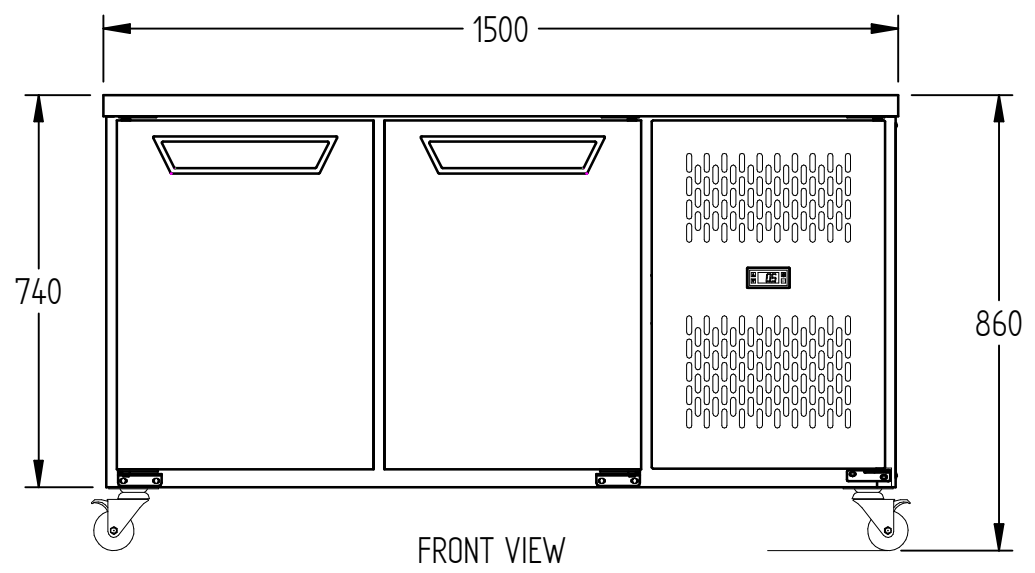
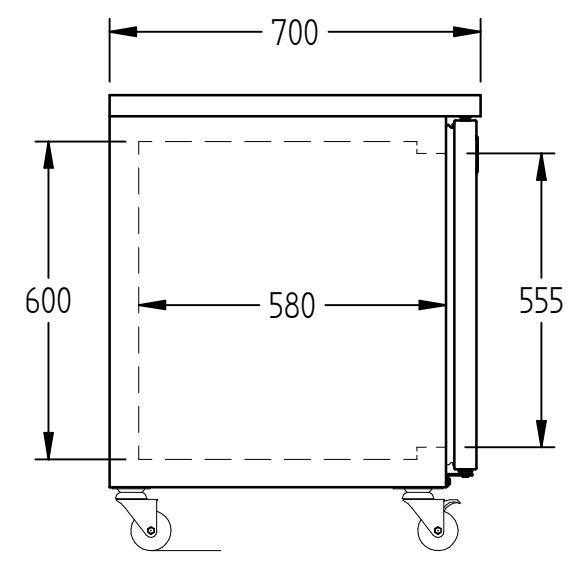


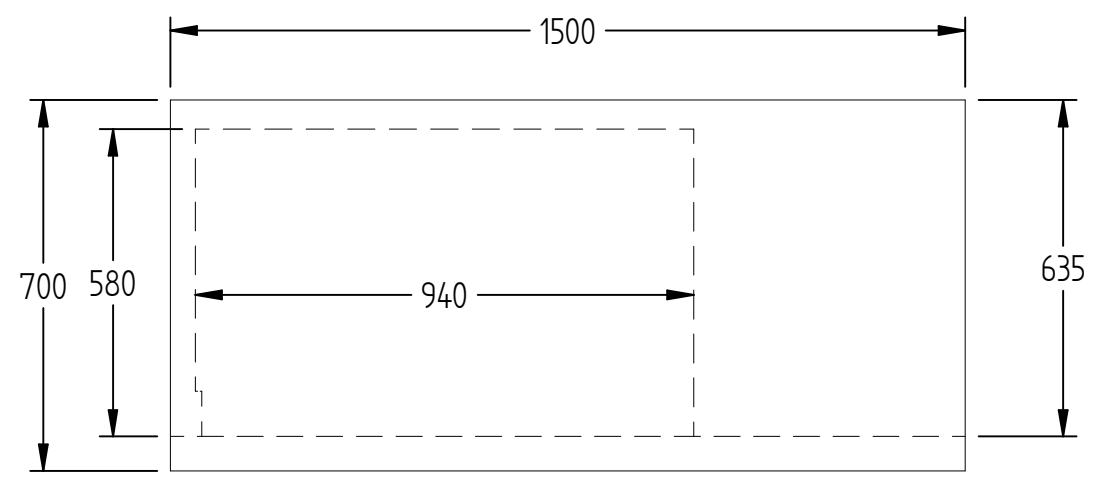
0 1 2 3 4 5 6 7 8



FRONT VIEW



SIDE VIEW



TOP VIEW

REV	DESCRIPTION	DATE	BY
-----	-------------	------	----

williams
REFRIGERATION AUST. PTY. LTD

This drawing and all copies produced remain the property of Williams Refrigeration and must not be copied or distributed by any third party without obtaining authorisation

UNLESS OTHERWISE STATED ALL DIMENSIONS IN MILLIMETERS.

GENERAL TOLERANCES:

UP TO 6	+/-0.1
7 TO 30	+/-0.2
31 TO 120	+/-0.3
121 TO 315	+/-0.5
316 TO 1000	+/-0.8
1000 & OVER	+/-1.2


ANGULAR +/-1°

DRAWN: RANDY

DATE: 08 05 18

CHECKED:

DRAFTING STANDARD AS 1100



MATERIAL: -

MODEL: HTU2SD

TITLE: TOPAZ UNDER COUNTER
2 DOOR

STOCK No. --

DWG: HTU2SD